

**Technical Specification**

Model	DI-55
Dimension	76 X 27 X 116 mm
Supply	110 to 250V AC, 50/60 Hz (SMPS)
Range	0.1 Second to 10 hours (User Selectable)
Output	1 relay with 2C/O (5 Amps,230V AC)

**LED**

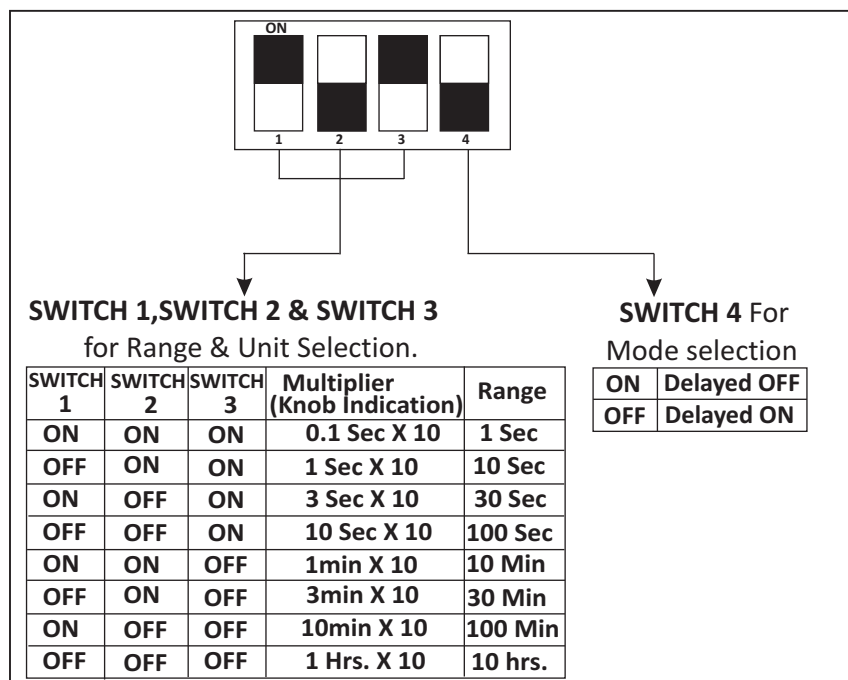
All Led are in Red color.

**M** : This LED Glows when Power is ON.

**R** : Shows the relay status.

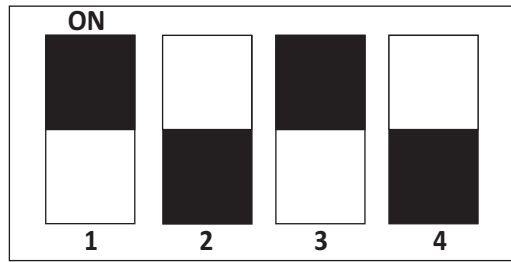
**DIP SWITCH SETTING**

Use Dip switch for time range & Relay mode selection.

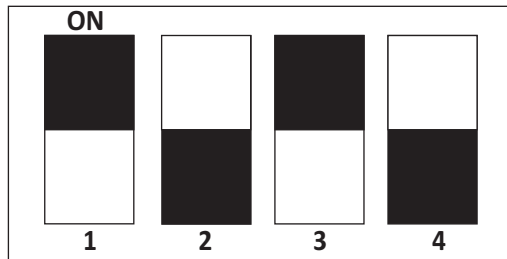


## For Example,

If you want to configure the instrument like 30 seconds Range & delayed ON mode then set the DIP switches as shown in figure & Knob set at 10 count in dial.



If you want to configure the instrument like 15 seconds Range & delayed ON mode then set the DIP switches as shown in figure & Knob set at 5 count in dial.



## Working

- 1). Do all connection as shown in connection diagram and turn on instrument.
- 2). Set the time as per requirement.
- 3). When time reach at set value then relay will be "ON" OR "OFF" according Relay mode selected by DIP Switch.

## Connection Diagram

