

Technical Specification

Micro Controller Based

Model	FRT-55
Dimension	76(H) X 27(W) X 116(D) mm
Supply	110 to 250V AC, 50/60 Hz (SMPS)
Time Range	0.1 Second to 10 hours (User Selectable)
Output	2 relay Forward & Reverse Relay with 1C/O (5 Amps/230V AC)

LED

All Led are in Red color.

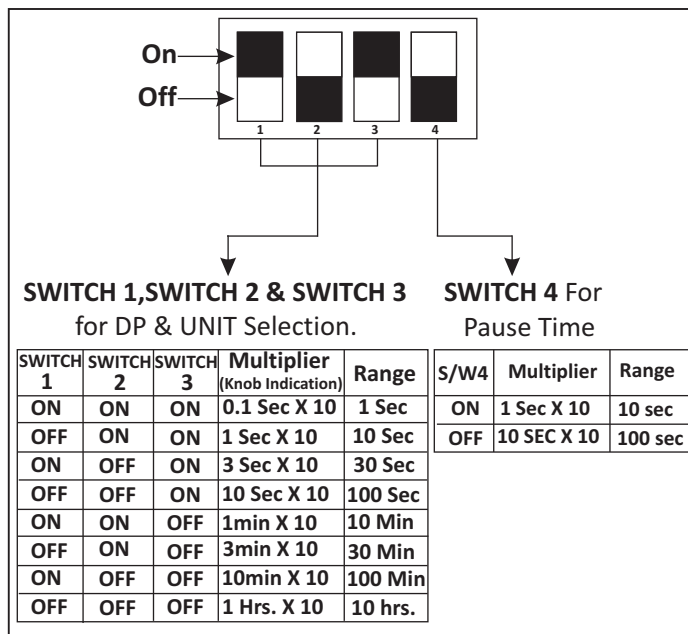
M : Glows when Power is ON.

FWD : Shows Status of forward Relay.

REV : Shows Status of Reverse Relay.

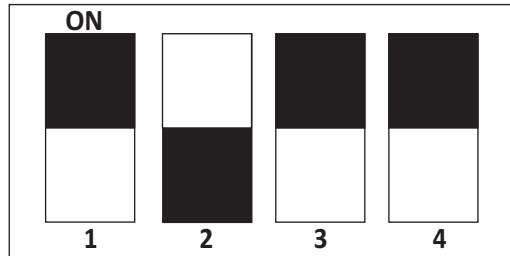
DIP SWITCH SETTING

Use Dip switch to configure the instrument .



For Example,

If you want to configure forward & Reverse Time 30 second and pause time 10 sec, Then keep position of FWD/REV time knob 10 count in dial and pause time knob 10 count in dial & dip switch Position as shown in below.



Working

- 1). Do all connection as shown in connection diagram and set Time range as per your Requirement and then turn on instrument.
- 2). Initially Forward Relay Operate for Preset time then Relay will be off for pause time then reverse relay will be operate for preset time.
- 3). This cycle will be continue until the power supply is off.

Connection Diagram

