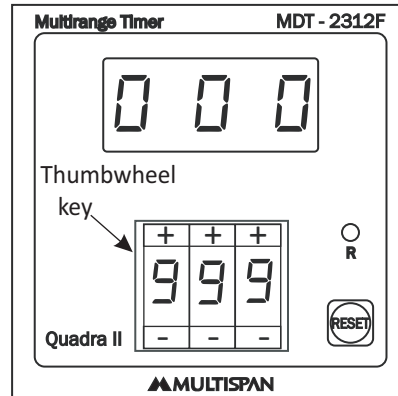
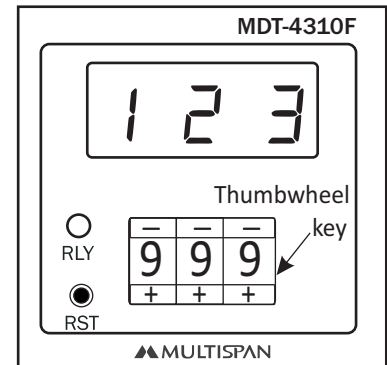


96 x 96 mm



72 x 72 mm



48 X 48 mm

## Technical Specification

SR.	SPECIFICATION		DESCRIPTION
1	Display	Digit	3 Digit
		LED	7 Segment LED
2	Timer Type		Multi-range timer
3	Resetting Timer		RST key in front and back
4	Input		Start Pulse M/S
5	Counting Direction		Up Or Down Counting
6	Output		1 relay, 2 C/O
7	Relay Rating		230V AC, 5A
8	Power Supply		230V AC, 50Hz

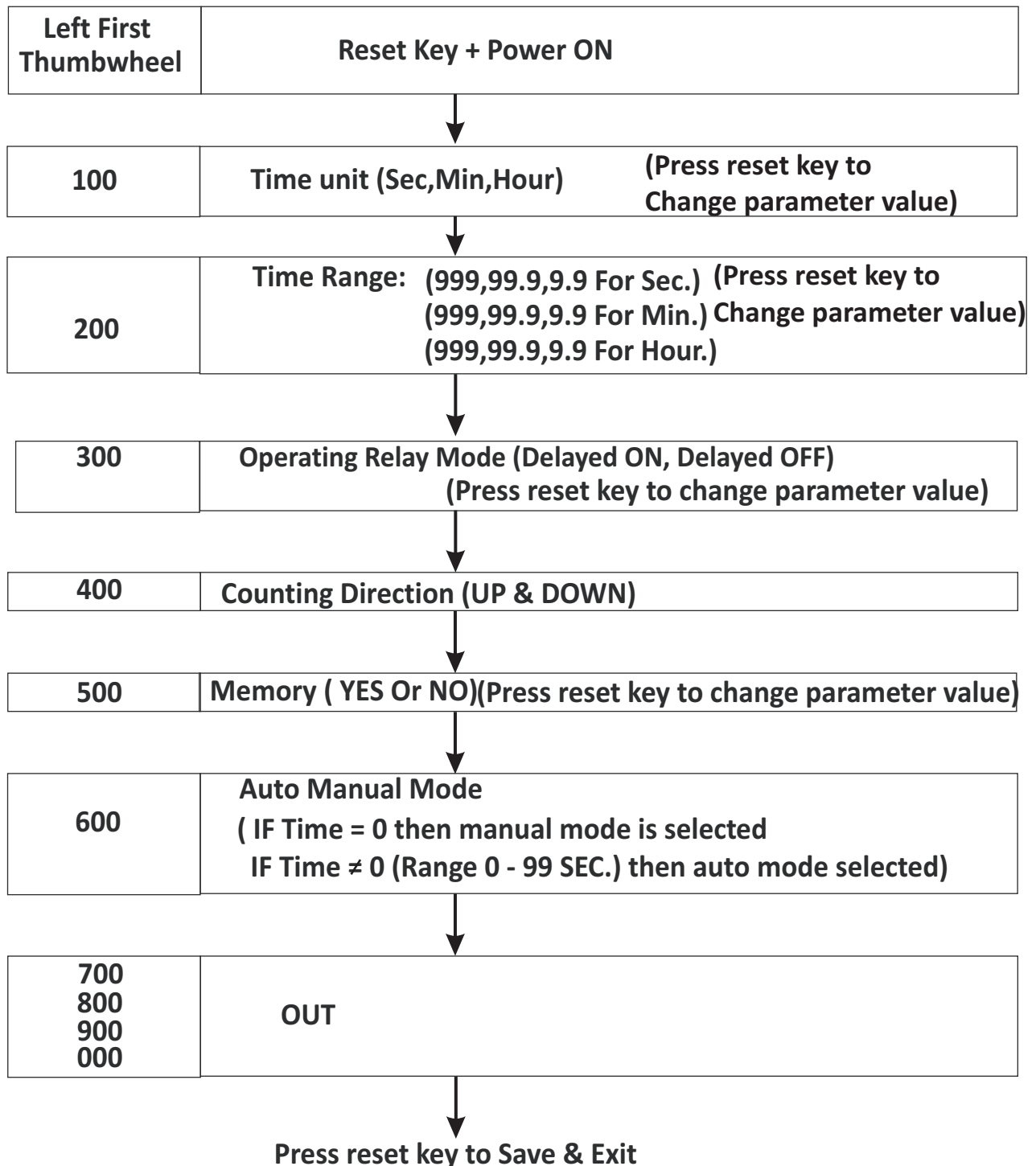
### NOTE:

Parameter setting is done by using Left First thumbwheel and reset key.:

1. Left first thumbwheel is used to change parameter
2. Reset key is used to change parameter value

## Parameter setting:

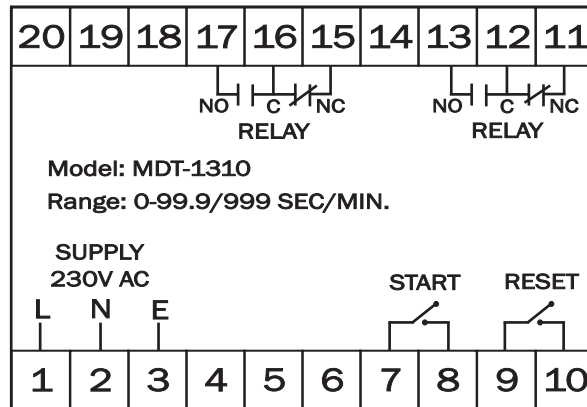
1. For parameter setting, Press reset key then power on, display will show by default Parameter.



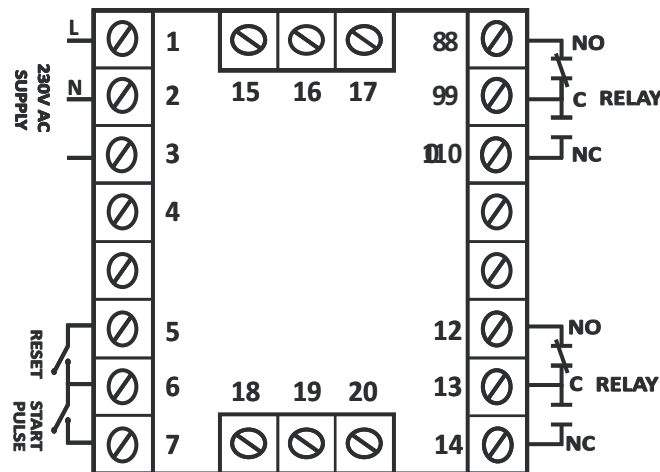
## NOTE:

1. In manual mode press reset key to reset, set point.
2. In Auto mode , set point is automatically reset after reset time is reaches to set value.

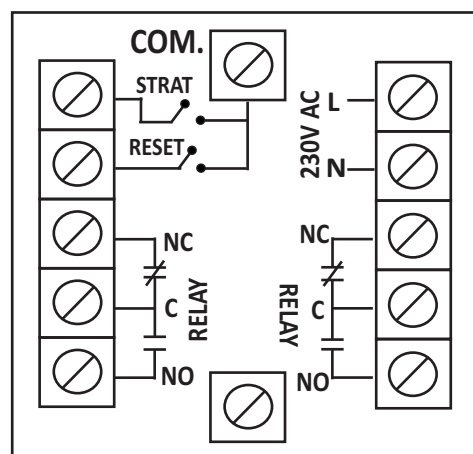
# TERMINAL CONNECTION DIAGRAM:



## MDT-1310F



## MDT-2312F



## MDT-4310F

## **NOTE:**

Product improvement and upgrade is a constant procedure. So for more updated operating information and support, please contact our Helpline : 9978 9914 74 / 75 or Email at [helpline@multispanindia.com](mailto:helpline@multispanindia.com)