

MFC - 1048
96 X 96 mm

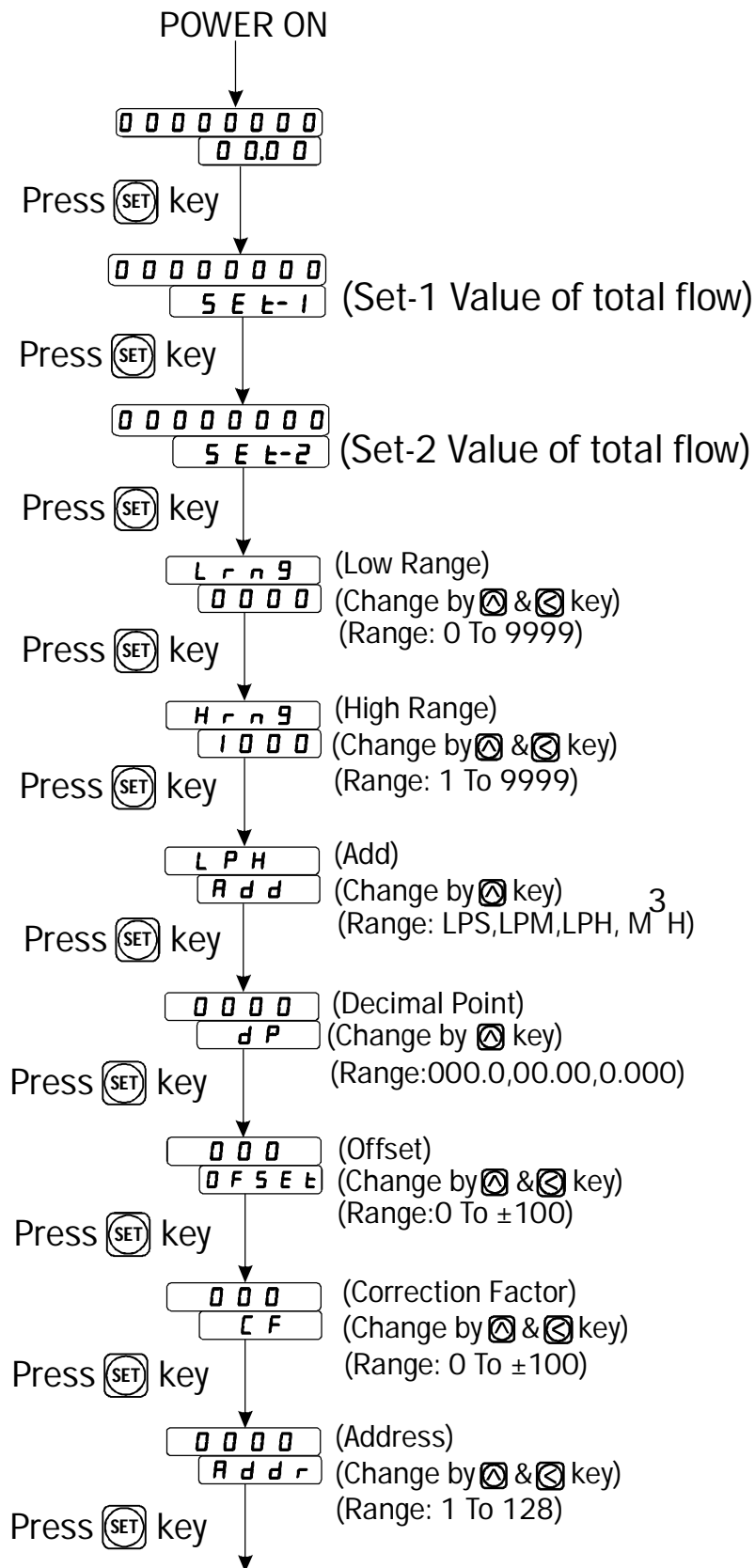
Specifications:

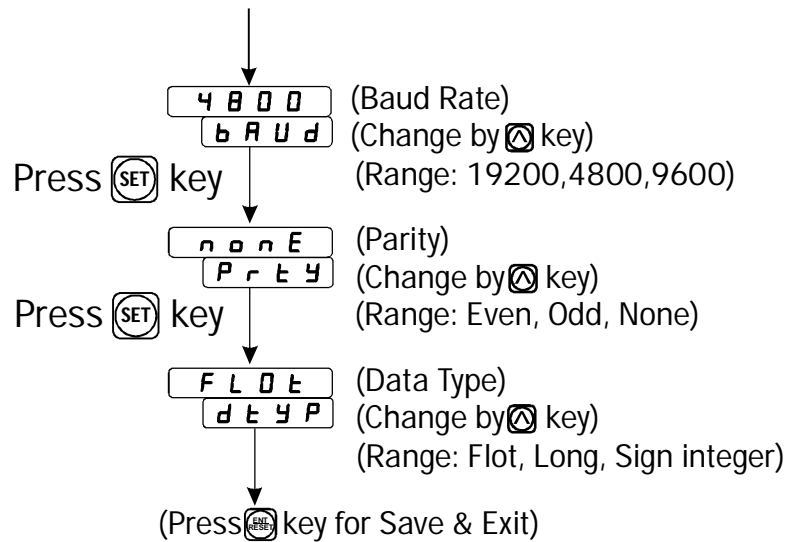
- | | |
|-----------------------|---|
| 1) Model | : MFC - 1048 |
| | Dimension: 96 X 96 X 55mm |
| | Panel Cutout: 92 X 92mm |
| 2) Display | : (8+4) digit, 2 line, 7 Segment LED Display |
| | Upper display : Total flow with 0.4", 8 digit |
| | Lower display : Flow Rate with 0.4", 4 digit |
| 3) Supply | : 100 To 250V AC |
| 4) Input | : 4 To 20mA DC |
| 5) Output | : 2 Relay on total flow |
| 6) Range | : 0 To 99999.999 Total flow (DP Auto sift) |
| | 0 To 9999 Flow Rate (DP Selectable) |
| 7) Memory | : Non Volatile |
| 8) Reset | : Reset at front |
| 9) Transmitter supply | : 24V DC (4 WIRE) |
| 10) Communication | : RS-485 MODBUS Facility |

NOTE

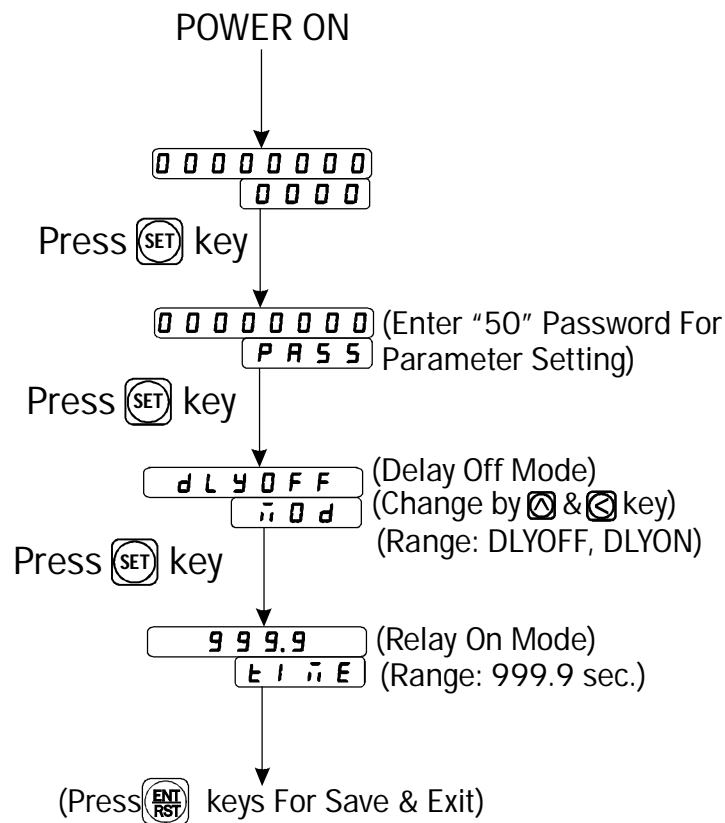
- To Change parameter press key
- To Change parameter value press & key
- To Save & exit from parameter setting press key.

SETTING FOR PARAMETER





Relay Mode & Time Setting



Working of Instrument

- 1) Do all the connection as shown in connection diagram and turn ON instrument.
- 2) Upper display will show the Total flow and Lower display will show the Flow Rate.
- 3) During power failure last value gets stored in the memory and resumes counting from the same value on gaining Power again.

Register address List for RS-485 modbus

Address	Parameter
30001	→ Total Flow (Low 16 Digit)
30002	→ Total Flow (High 16 Digit)
30003	→ DP Position (Low 16 Digit)
30004	→ DP Position (High 16 Digit)
30005	→ Flow Rate (Low 16 Digit)
30006	→ Flow Rate (High 16 Digit)
30007	→ Set Point-1 (Low 16 Digit)
30008	→ Set Point-1 (High 16 Digit)
30009	→ Set Point-2 (Low 16 Digit)
30010	→ Set Point-2 (High 16 Digit)
30011	→ Low Range (Low 16 Digit)
30012	→ Low Range (High 16 Digit)
30013	→ High Range (Low 16 Digit)
30014	→ High Range (High 16 Digit)
30015	→ Offset (Low 16 Digit)
30016	→ Offset (High 16 Digit)
30017	→ CF (Low 16 Digit)
30018	→ CF (High 16 Digit)
30019	→ Unit (Low 16 Digit)
30020	→ Unit (High 16 Digit)

Note : Unit → 0 LPS
 → 1 LPM
 → 2 LPH
 → 3 M³H

Connection Terminal

