
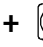





96 X 96 mm

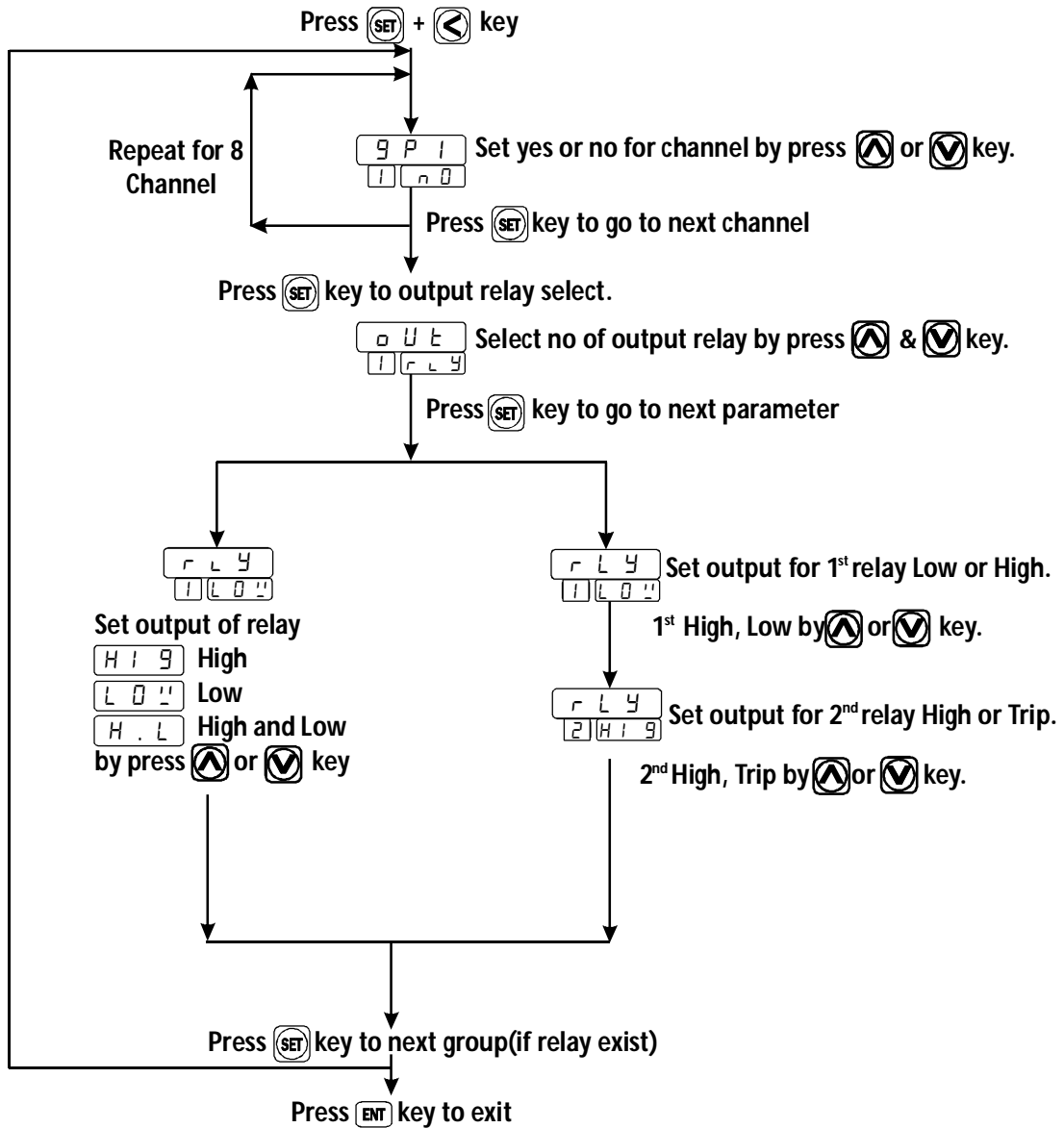
Technical Specification:

- 1) Display : a) Upper : 4 digit, RED 7 segment LED, display Size 0.56"
b) Lower : 3 digit, RED 7 segment LED, display Size 0.4"
- 2) Input : J , K , PT-100/3W Selectable
- 3) Range : 1) J Type : 0 To 600°C
2) K Type : 0 To 1200°C
3) PT-100 : -99 To 400°C (DP Selectable)
- 4) Power Supply : 100 To 250V AC (SMPS)
- 5) Communication: RS.485 Communication available
- 6) Output: 4 Relay 1 C/O, 5A, 230V AC

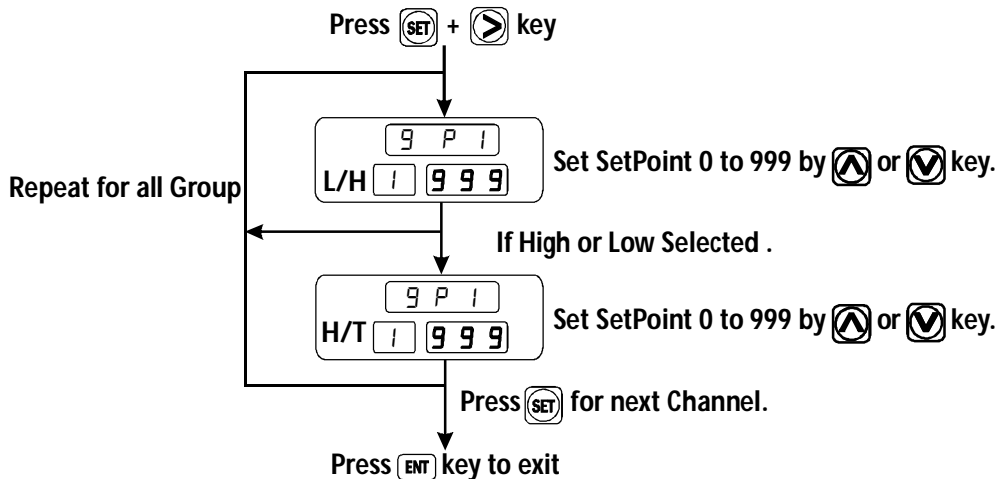
Procedure:

- 1) Do all connection as shown in connection diagram.
- 2) To enter in parameter menu, press set key.
Configure: 1. Scan time
2. Sensor Selection (J, K or PT-100 Selectable)
3. Skip or unskip channel
4. DP selection for pt-100 only.
- 3) If needed to add offset, press  +  together for 5 Sec.
Set offset for each channel if required.
Off set range will be -25°C to + 25°C.
- 4) Press & Hold  Key for continuous scrolling or manual scrolling.
- 5) In hold mode use  &  Key to select next channel.

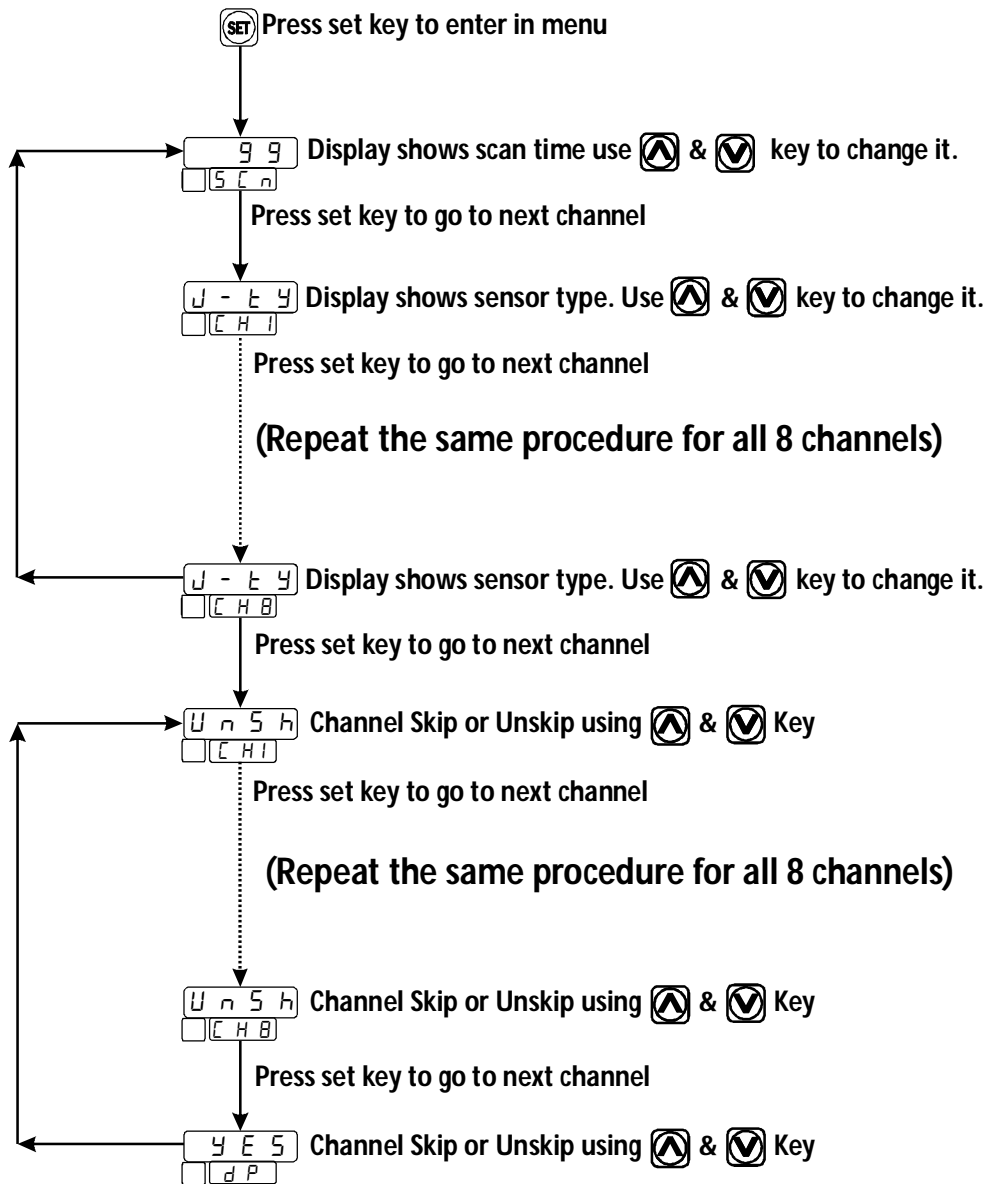
GROUP MENU



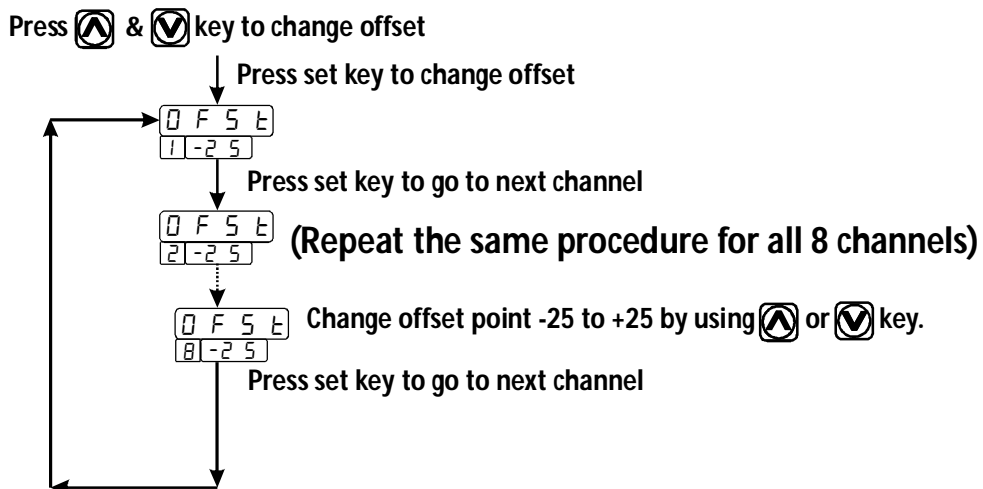
SET POINT MENU



PARAMETER MENU

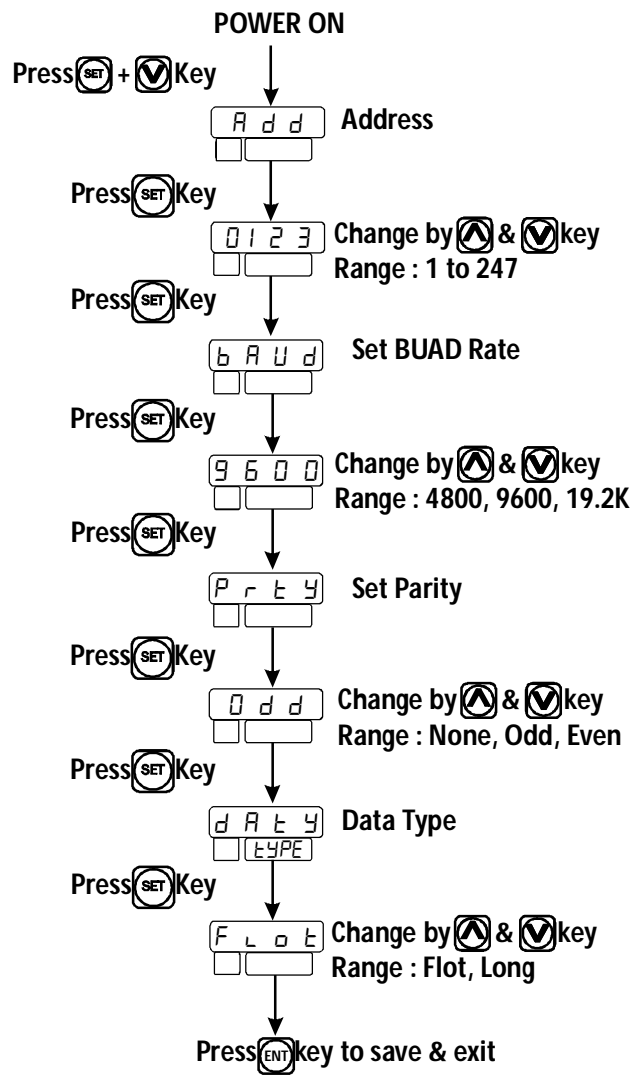


OFFSET SETTING

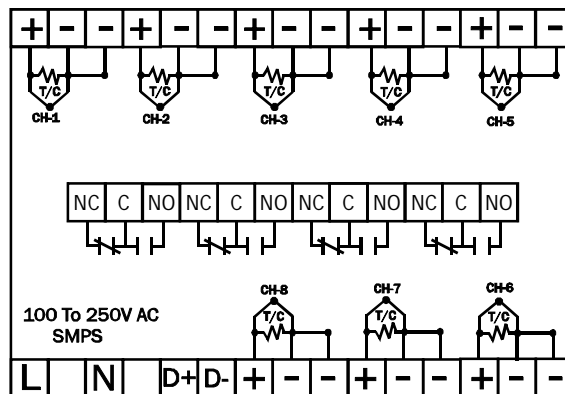


Product improvement and upgrade is a constant procedure. So for more updated operating information and Support, Please contact our Helping: 079-22770865 or Email at marketing@multispanindia.com

MODBUS PARAMETER



Terminal Connection Diagram



Register address List for RS-485 modbus

Address	Parameter
30001	CH-1 Temp (Low 16 Digit)
30002	CH-1 Temp (High 16 Digit)
30003	CH-2 Temp (Low 16 Digit)
30004	CH-2 Temp (High 16 Digit)
30005	CH-3 Temp (Low 16 Digit)
30006	CH-3 Temp (High 16 Digit)
30007	CH-4 Temp (Low 16 Digit)
30008	CH-4 Temp (High 16 Digit)
30009	CH-5 Temp (Low 16 Digit)
30010	CH-5 Temp (High 16 Digit)
30011	CH-6 Temp (Low 16 Digit)
30012	CH-6 Temp (High 16 Digit)
30013	CH-7 Temp (Low 16 Digit)
30014	CH-7 Temp (High 16 Digit)
30015	CH-8 Temp (Low 16 Digit)
30016	CH-8 Temp (High 16 Digit)
30017	Not Use Not Use
30018	01100100 Not Use

Note :

- Register Address 30017 & 30018 are use for skip/Unskip Status of Each Channel.
- Those Bite Where 1 value Indicate That Channel skip and o value indicate Unskip Channel.

30019	00110000	11000000
30020	00001100	00000011

- Register Address 30019 (Lower 8 byte J Type TC) (Higher 8 Bite for K Type TC) and 30020 (Lower 8 Byte For PT-100)(Higher 8 Bite for PT.1 type Sensor)

30021	Not Use	0000R4R3R2R1
30022	Not Use	Not Use

- Register Address 30021 (Lower 4 Bite) Use For Relay.