

Model : SQT 1044 (96 X 96 mm)

Panel Cutout: (92 X 92 mm)

Technical Specification

- 1) Model : SQT 1244
- 2) Display: 4 digit, Double Display
- 3) Input : NPN/PNP Proxy, Micro Switch.
- 4) Range :
 - 1) 99.99 Sec.
 - 2) 999.9 Sec.
 - 3) 99.59 Min.
 - 4) 99.59 Hrs.
 - 5) 999.9 Hrs.
- 5) Relay Status : LED indicator
 - 1) Relay status
 - 2) Time unit
- 6) Timer Mode :
 - 1) Delayed ON
 - 2) Delayed OFF
 - 3) Cycle Timer
- 7) Output : 12 Relay
- 8) Power Supply : 110 To 250V AC, 50/60 Hz SMPS

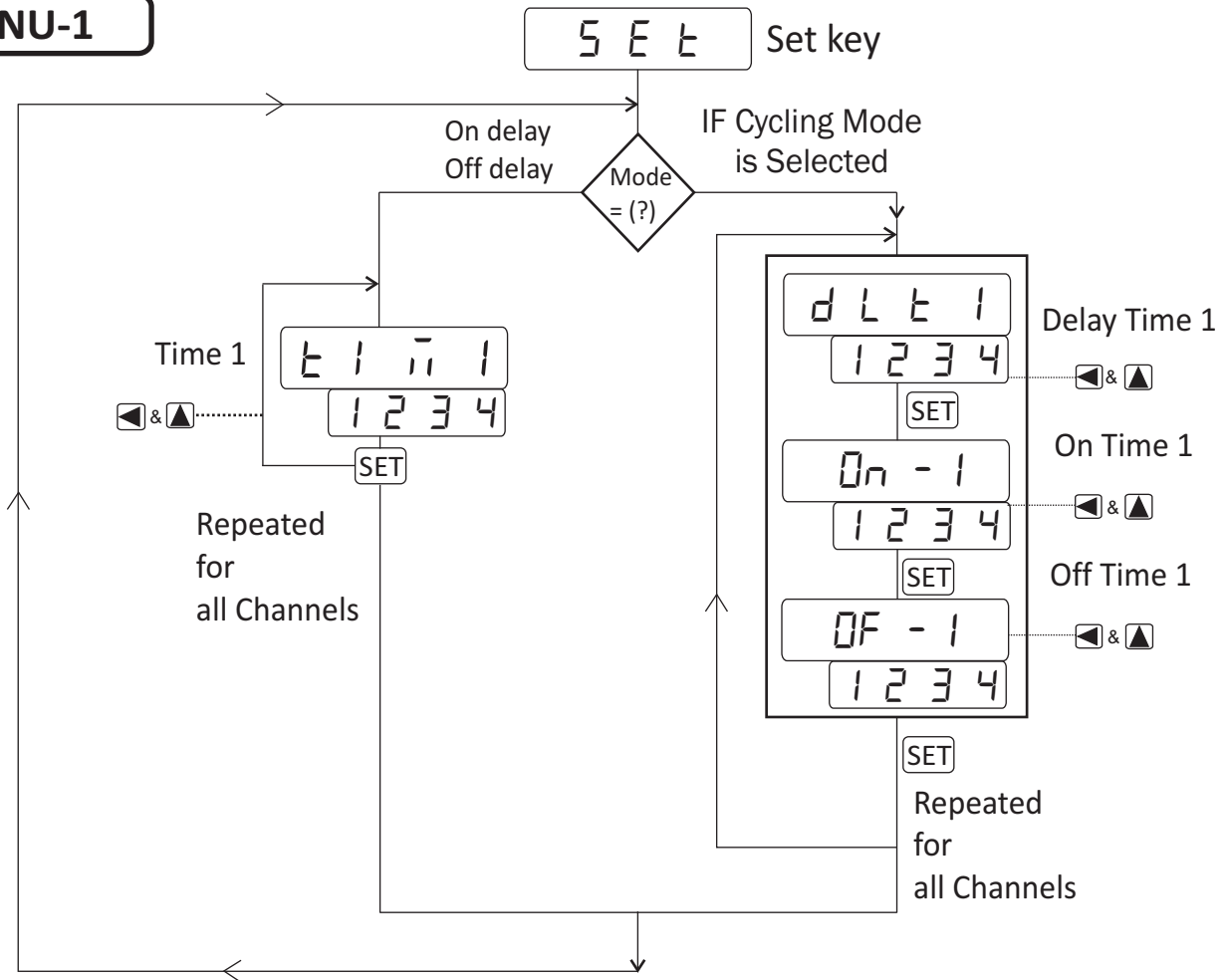
Note:

- 1) To make parameter setting easy, menu is divided in three groups.
- 2) Menu 1: is used to set the parameters which are needed to change frequently, like On time, OFF Time
- 3) Menu 2: is used to set the parameters like mode, range & No. Of cycles.
- 4) Menu 3: is used to set the parameters Which Needed to change in rare Case like individual & Common mode, Type of input & memory retention.

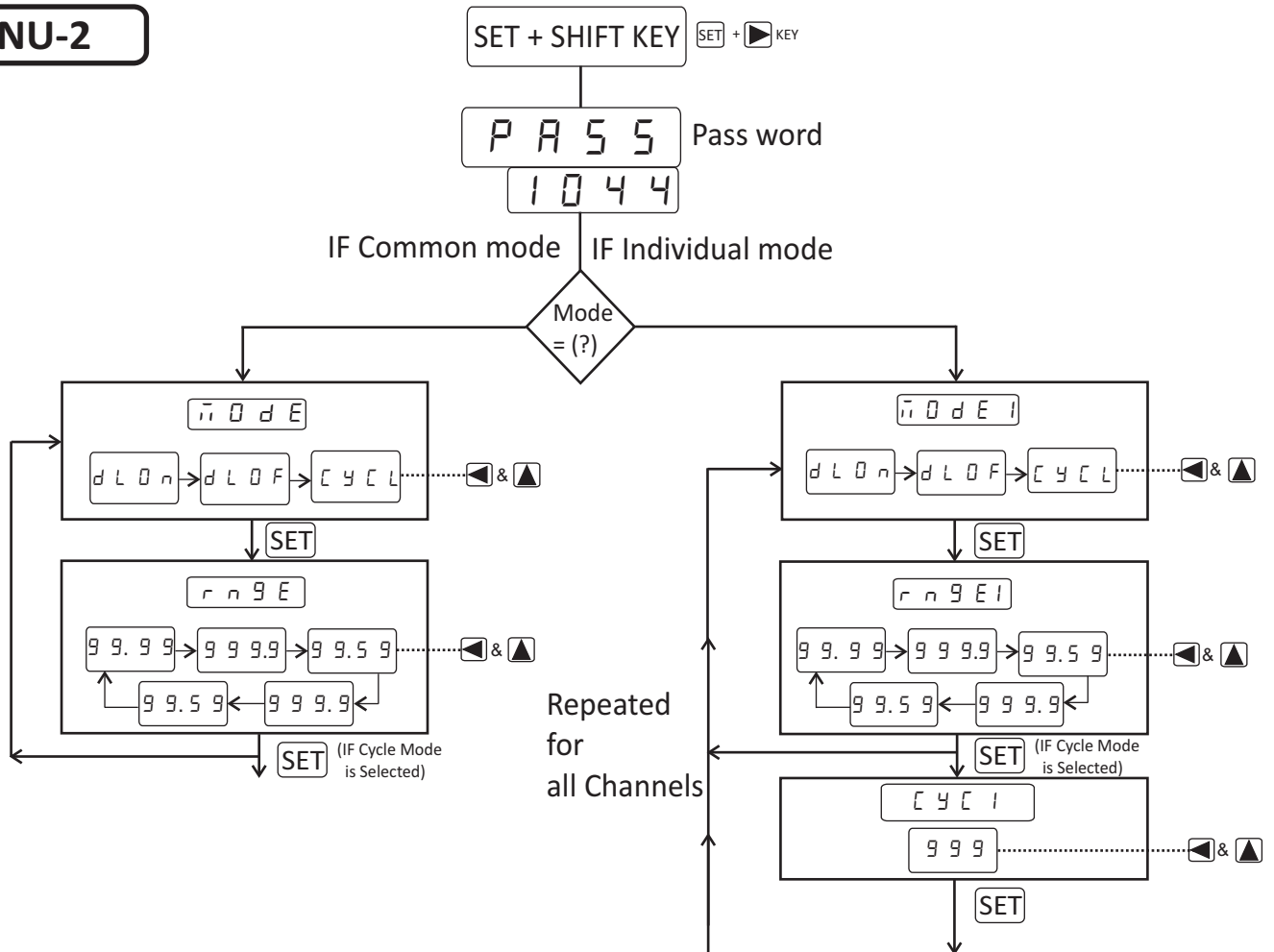
Working:

- 1) First enter in menu-3 (Short Terminal No.8 & 10) Then Power On.
- 2) Configure The instrument As per Your Application
- 3) Press **SET**+**◀** Key & Follow Menu as per the Application.
- 4) Use **◀**&**▲** Key in Menu-1
- 5) At Any time press **↵** key to save and exit.
- 6) To Change Any parameter **◀** & **▲** Key.
- 7) To go to next parameter, Press **SET** Key.
- 8) If No. key is Pressed, Menu will Automatically exit after 15 SEC. without saving.

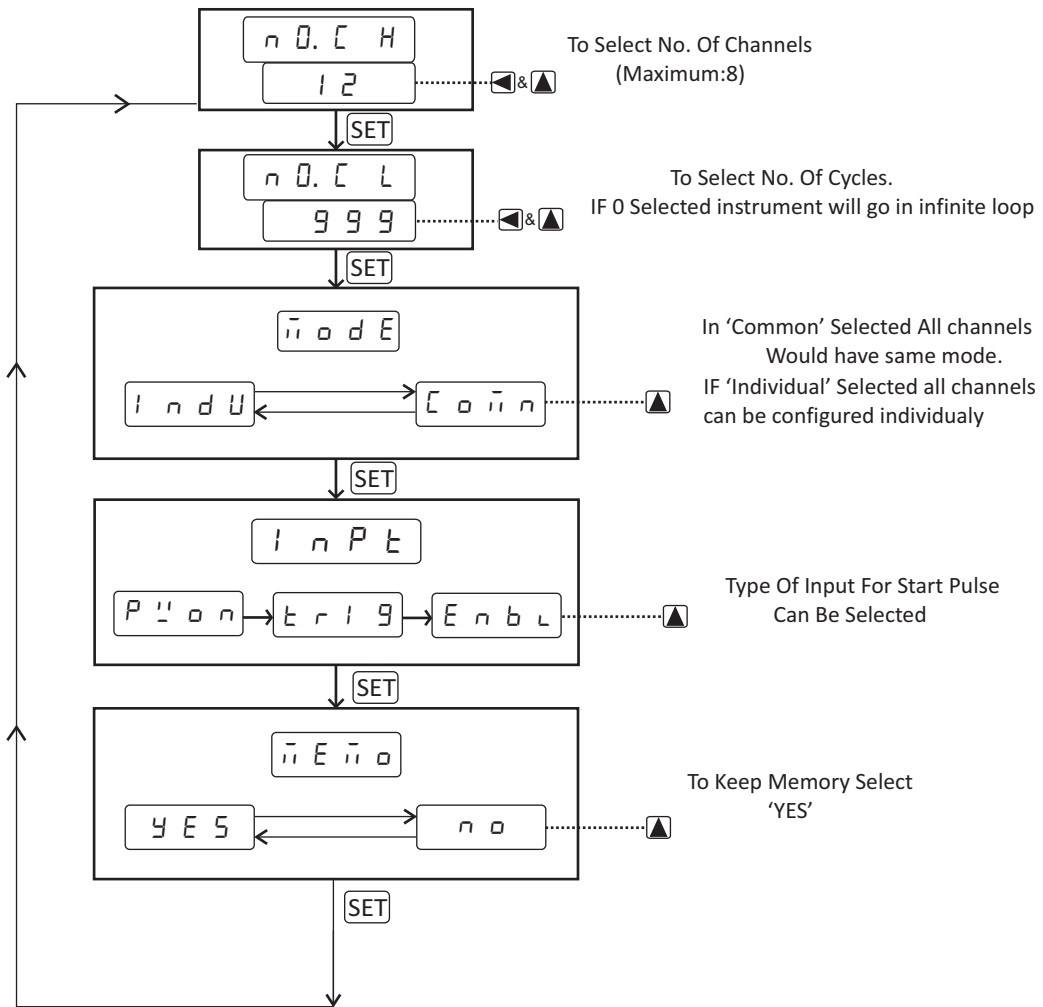
MENU-1



MENU-2



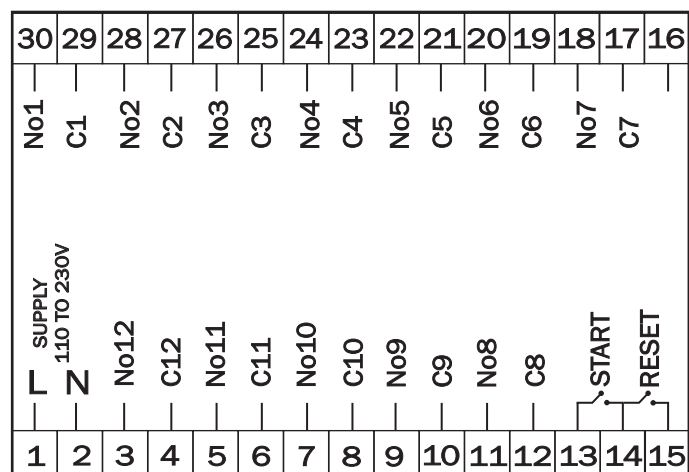
MENU-3



DISPLAY MESSAGE AND THEIR MEANING

| SR. | DISPLAY | DESCRIPTION |
|-----|----------|-----------------|
| 1 | P A S S | Password |
| 2 | C Y C L | Cycle |
| 3 | d L O n | Delayed On |
| 4 | d L O F | Delayed Off |
| 5 | r n g E | Range |
| 6 | m o d 1 | Mode 1 |
| 7 | r n g 1 | Range 1 |
| 8 | C Y C 1 | Cycle 1 |
| 9 | t i m 1 | Time 1 |
| 10 | d L Y 1 | Delay Time 1 |
| 11 | O n - 1 | On Time 1 |
| 12 | O F - 1 | Off Time 1 |
| 13 | n O. C H | No. Of Channels |
| 14 | n O. C L | No. Of Cycles |
| 15 | m o d E | Mode |
| 16 | C O m m | Common |
| 17 | I n d U | Individual |
| 18 | I n P t | Input |
| 19 | P o n | Power On |
| 20 | t r i g | Trigger |
| 21 | E n b L | Enable |
| 22 | m e m o | Memory |
| 23 | Y E S | Yes |
| 24 | n O | No |

CONNECTION TERMINAL DIAGRAM



Product improvement and upgrade is a constant procedure. So for more updated operating information and Support, Please contact our Helping: 079-22770865 or Email at marketing@multispanindia.com