

Apex Engineering Concern

Specifications:



GAS Solenoid Valve

Port :	Refer below technical data sheet (Available BSP / NPT)
End Connection :	Screwed.
Body Material :	Aluminium, Pressure die-cast.
Diaphragm :	Nitrite (NBR).
Circumstance Temp :	-10 °C to 60 °C
Media Temp:	-30 °C to 90 °C.
Media :	LPG, Natural Gas, Town Gas, Air.
Main Features :	Flow adjustment, Opening time adjustment, Quick release initial flow adjustment. AC : 110V, 230V, 50HZ/60HZ
Operating Voltage :	33W
Power Consumption :	High Reliability Unaffected by Voltage Surges.
Features :	Easy coil changes Coil lockable in 4X90, Position or freely movable in between as require.
Coil Housing :	Epoxy Round Coil
Other Specification Data :	Available on request.

Note : USE OF FILTER IN THE INLET PORT IS RECOMMENDED

Technical Data

Model No.	Body Material	Pipe (inch)	Orifice (mm)	Min. Operating Pressure Kg/Cm ²	Max. Operating Pressure Kg/Cm ²	Seal & Diaphragm Material	Flow Factor Kv m ³ /hr
DAN212	Aluminium	1/2 "	15	0	500	NBR	4.00
DAN408	Aluminium	1 "	30	0	350	NBR	13.00

Diagram

Diagram : 9.1

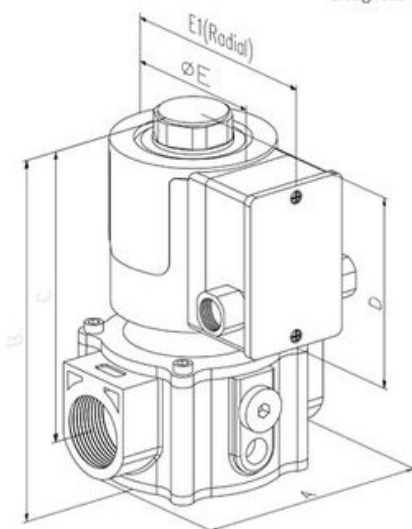
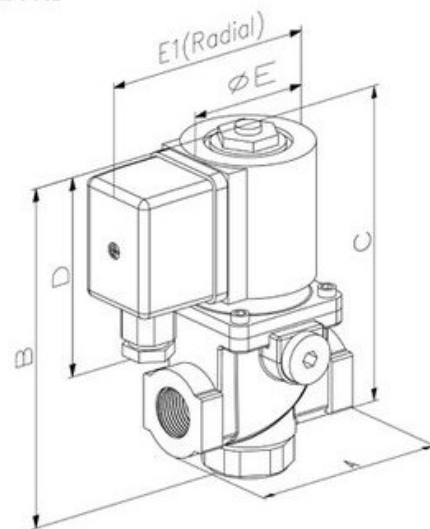


Diagram : 9.2



Dimension

Model No.	Port Size	Diagram No.	A	B	C	D	E	E-1
DAN212	1/2 "	9.1	72	136	107	72	50	78
DAN408	1"	9.2	109	165	133	85	71	105

Apex Engineering Concern

