

# Apex Engineering Concern

## Specifications:



Pulse Jet Valve

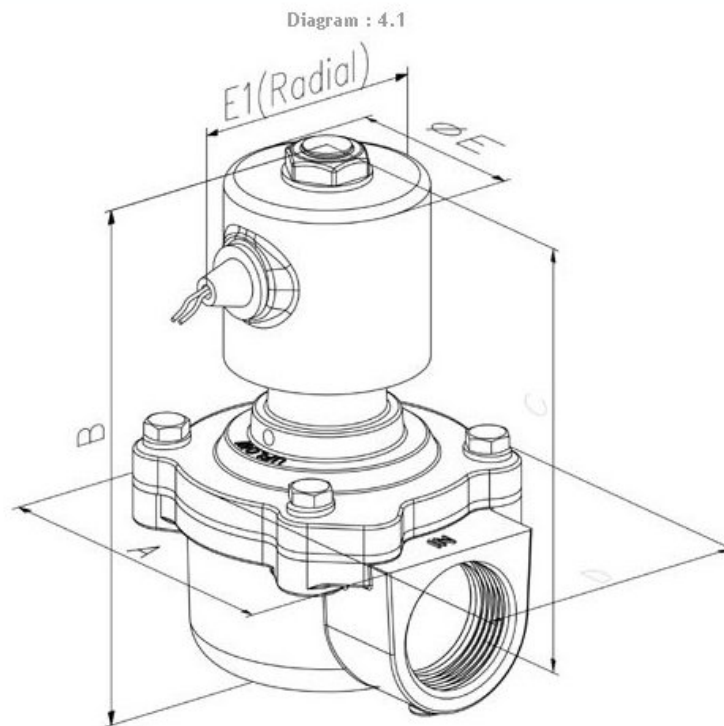
Port :	Refer below technical data sheet (Available BSP)
End Connection :	Screwed.
Body Material :	Aluminium Die Cast
Diaphragm :	Nitrile(NBR)
Circumstance Temp :	-10 °C to 90 °C
Media Temp :	-10 °C to 90 °C
Media :	Air
Main Features :	Internal Parts in Superior corrosion resistance steel (Equivalent to 55316L) Suitable for Air Pollution Control System, Bag Filter Machine.
Operating Voltage :	AC : 24V, 48V, 110V, 230V, 240V, 50HZ/60HZ    DC : 12V, 24V.
Power Consumption :	AC : 5.5W, 7.5W, 8.5W, 9.5W, 10W, 11.5W, 12W    DC : 10V, 11V.
Features :	High Reliability Unaffected by Voltage Surges. Easy Coil changes Coil lockable in 4X90 position or freely movable in between as require.
Coil Housing :	Epoxy Square Coil, Metallic Round Enclosure, IP-67 Flame Proof Enclosure, IP-68 Weather Proof Enclosure.
Optional Feature :	90% Power saver series also available.
Other Specification Data :	Available on request.

Note : **USE OF FILTER IN THE INLET PORT IS RECOMMENDED.**

## Technical Data

Model No.	Body Material	Pipe (inch)	Orifice (mm)	Min. Operating Pressure Kg/Cm <sup>2</sup>	Max. Operating Pressure Kg/Cm <sup>2</sup>	Seal & Diaphragm Material	Flow Factor K <sub>v</sub> m <sup>3</sup> /hr
JAN47	Aluminium	1 "	29.00	0.5	8.5	NBR	16
JAN67	Aluminium	1 1/2 "	52.00	0.5	8.5	NBR	40

## Diagram



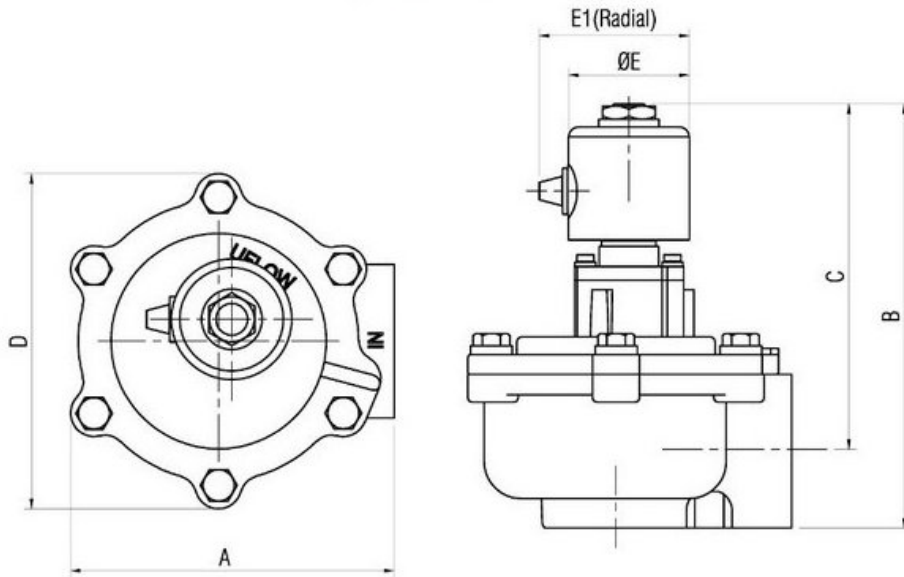
## Dimension

Model No.	Port Size	Diagram No.	A	B	C	D	E	E-1
JAN47	1 "	4.1	137	164	134	75	44	58

# Apex Engineering Concern

## Diagram

Diagram No. 4.2



## Dimension

Model No.	Port Size	Diagram No.	A	B	C	D	E	E-1
JAN67	1 1/2 "	4.2	131.75	170	140	136	44	58

## Model Identification Chart

